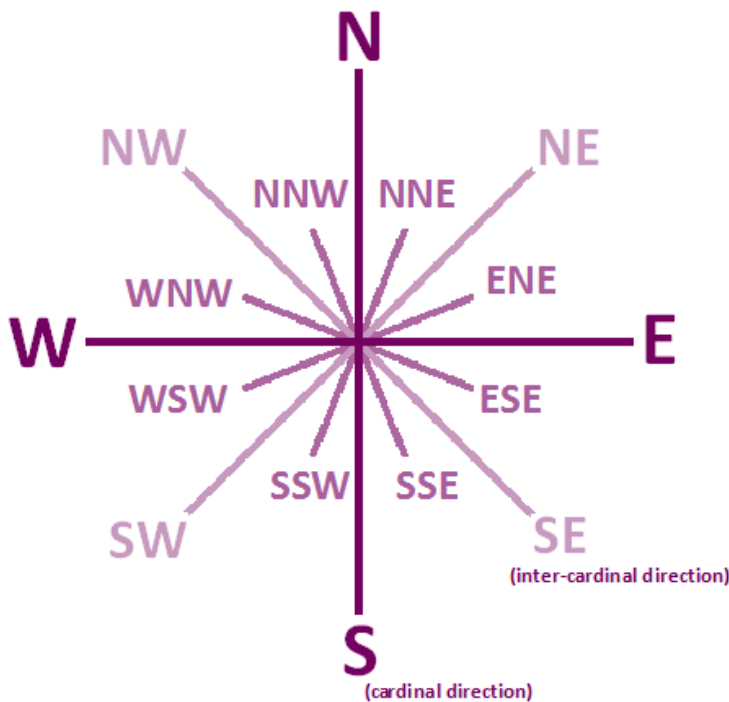


Direction and Bearings



The Compass Rose

A Compass Rose is a diagram used to display the directional relationships between North, South, East and West (the **cardinal directions**) and the intermediate points. Those that bisect the cardinal directions are known as **inter-cardinal directions**, such as South East. Or North East. The intermediate directions that bisect these, such as South-South-East always state the nearest cardinal direction first, then the inter-cardinal.

For most navigation on foot, a sixteen point rose (left) is used, while marine navigation can use a thirty two point rose.

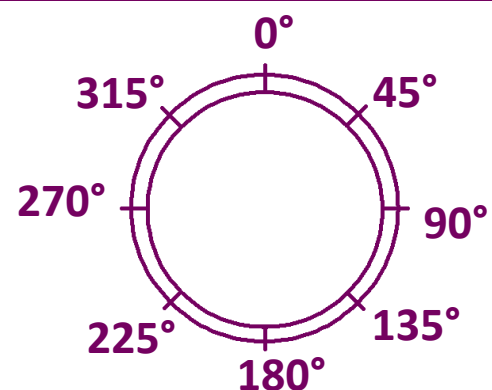
Bearings

Bearings are another and more precise way of stating a direction (right). Direction is split into 360 mathematical degrees, with 0° representing north. This allows navigators to be more accurate as they can follow an exact bearing rather than a rough direction.

Mnemonics

Remembering the order of the compass rose can be easier by using a mnemonic such as:

“**N**aughty **E**lephants **S**quirt **W**ater”



How to use a compass to navigate between two points seen on a map

1. Place the straight edge of the compass on the map so that it touches both the start and finish point. The direction of travel arrow should point towards the finish point.
2. Keeping the compass in place, rotate the housing of the compass so that the north orienting arrow on the compass lines up with north on the map.
3. Keeping the compass and map gripped together, rotate yourself so that the red end of the compass needle sits exactly within the north orienting arrow on the compass.
4. The direction of travel arrow now points towards the finish point. When moving, check that the red end of the compass needle is always within the orienting arrow.

